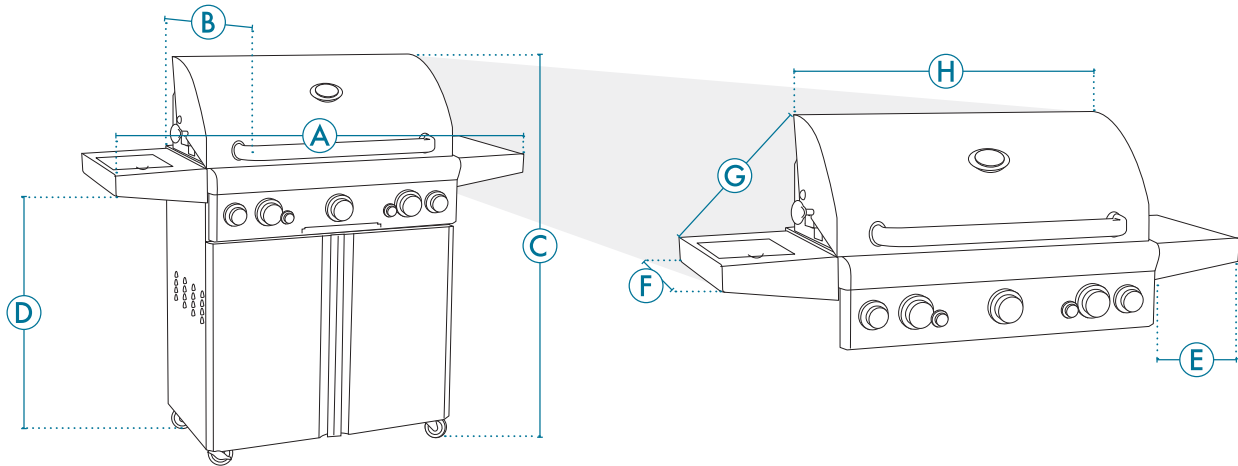


CUSTOM COVER DIMENSIONS

BBQ Grill

 Email quote request or order to: custom@classicaccessories.com, fax form to 253.395.3991 or call 800.854.2315 with questions.


Please fill in your information below

Customer Name:		Date:	
----------------	--	-------	--

For the best fit we recommend including a picture of the item you are requesting a custom cover for

Please fill in the measurements in inches according to the diagram above

A*	Length of your BBQ (side-shelf to side-shelf)	
B	Depth of your BBQ (include the front handle)	
C	Total Height	
D*	Height from bottom of shelf to ground	
E*	Length of side-shelf	
F*	Depth of side-shelf (shelf only)	
G*	Angle distance from top of BBQ to the outside of side-shelf	
H	Grill hood Length	

Additional information needed for this custom cover

?	Will you be storing your BBQ with the side tables down? Y / N *If yes, steps A, D, E, F, G may not be applicable
---	--

 ** Please refer to your furniture's manufacture manual as some finishes, sealants or coatings could react to PVC backed covers.

Please select the best attachment for your application:

<input type="checkbox"/>	Buckle and strap	<input type="checkbox"/>	Hook and Loop
<input type="checkbox"/>	Bungie with Toggle	<input type="checkbox"/>	Elastic in Hem - Like a showercap