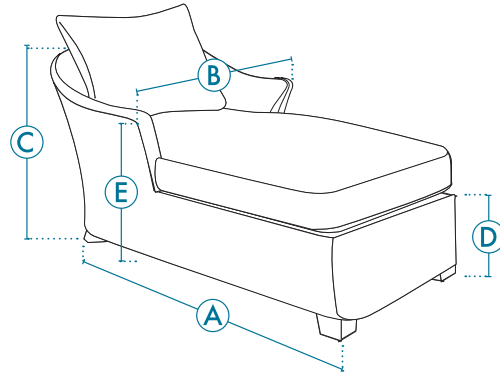
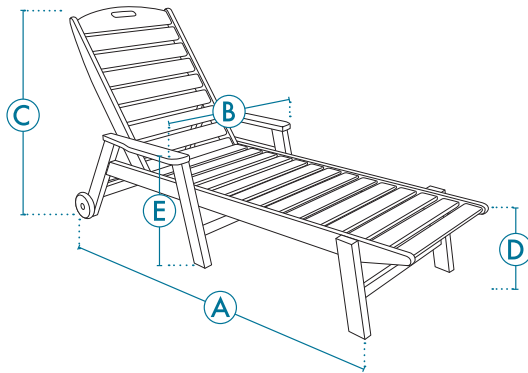


**CUSTOM COVER DIMENSIONS**

# Chaise Covers

 Email quote request or order to: [custom@classicaccessories.com](mailto:custom@classicaccessories.com), fax form to 253.395.3991 or call 800.854.2315 with questions.


Please fill in your information below

|                |  |       |  |
|----------------|--|-------|--|
| Customer Name: |  | Date: |  |
|----------------|--|-------|--|

For the best fit we recommend including a picture of the item you are requesting a custom cover for

Please fill in the measurements in inches according to the diagram above

|                                                                                                      |                  |  |
|------------------------------------------------------------------------------------------------------|------------------|--|
| A                                                                                                    | Length of Chaise |  |
| B                                                                                                    | Width of Chaise  |  |
| C                                                                                                    | Back Height      |  |
| *Measure the Height as you will store the chaise's back position to ensure accurate fit for each use |                  |  |
| D                                                                                                    | Front Height     |  |
| E                                                                                                    | Arm Height       |  |

Additional information needed for this custom cover

|   |                                   |                                   |
|---|-----------------------------------|-----------------------------------|
| ? | Does your chaise have legs? Y / N | Does your chaise have arms? Y / N |
|---|-----------------------------------|-----------------------------------|

**!** \*NOTE: Cushions are to be removed when cover is in use.  
 \*\* Please refer to your furniture's manufacture manual as some finishes, sealants or coatings could react to PVC backed covers.

Please select the best attachment for your application:

|                          |                    |                          |                                   |
|--------------------------|--------------------|--------------------------|-----------------------------------|
| <input type="checkbox"/> | Buckle and strap   | <input type="checkbox"/> | Hook and Loop                     |
| <input type="checkbox"/> | Bungie with Toggle | <input type="checkbox"/> | Elastic in Hem - Like a showercap |