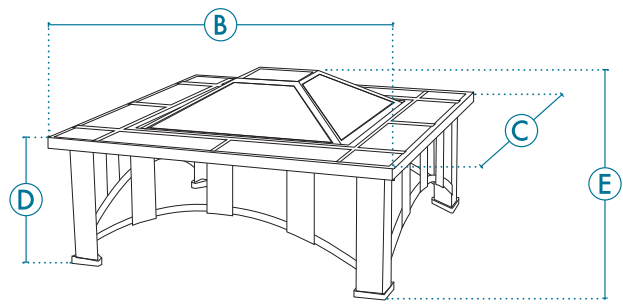
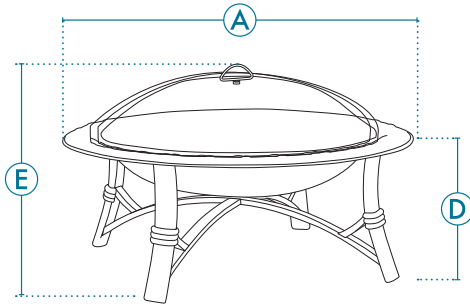


CUSTOM COVER DIMENSIONS

Fire Pits

 Email quote request or order to: custom@classicaccessories.com, fax form to 253.395.3991 or call 800.854.2315 with questions.


Please fill in your information below

Customer Name:		Date:	
----------------	--	-------	--

For the best fit we recommend including a picture of the item you are requesting a custom cover for

Please fill in the measurements in inches according to the diagram above

A	Diameter of round fire pit	
B	Length of square or rectangle fire pit	
C	Width of square or rectangle fire pit	
D	Side Height (without additional dome)	

Additional information needed for this custom cover

?	Does your fire pit have a dome or additional height? Y / N	
?	If yes, what is the total height including this feature? See measurement E in the diagram	

 ** Please refer to your furniture's manufacture manual as some finishes, sealants or coatings could react to PVC backed covers.

Please select the best attachment for your application:

- | | | | |
|--------------------------|--------------------|--------------------------|-----------------------------------|
| <input type="checkbox"/> | Buckle and strap | <input type="checkbox"/> | Hook and Loop |
| <input type="checkbox"/> | Bungie with Toggle | <input type="checkbox"/> | Elastic in Hem - Like a showercap |