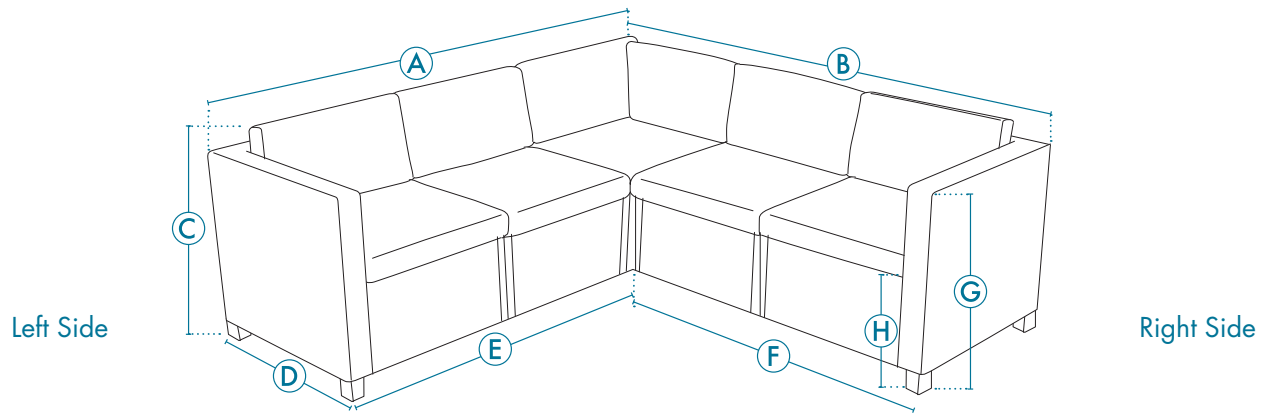


CUSTOM COVER DIMENSIONS

Sectional Cover

 Email quote request or order to: custom@classicaccessories.com, fax form to 253.395.3991 or call 800.854.2315 with questions.


Please fill in your information below

Customer Name:		Date:	
----------------	--	-------	--

For the best fit we recommend including a picture of the item you are requesting a custom cover for

Please fill in the measurements in inches according to the diagram above

A	Length of Side 1	
B	Length of Side 2	
C	Back Height	
D	Depth	
E	Length of Front Side 1	
F	Length of Front Side 2	
G	Height from Arm to Ground	
H	Height from Ground to Cushion Bottom	

Additional information needed for this custom cover

?	Does your sectional have a chaise? Y / N	If yes, what side? Left / Right
?	Does your sectional have legs? Y / N	Does your sectional have arms? If yes, what side? Left / Right / Both

! *NOTE: Cushions are to be removed when cover is in use.
 ** Please refer to your furniture's manufacture manual as some finishes, sealants or coatings could react to PVC backed covers.

Please select the best attachment for your application:

- | | | | |
|--------------------------|--------------------|--------------------------|-----------------------------------|
| <input type="checkbox"/> | Buckle and strap | <input type="checkbox"/> | Hook and Loop |
| <input type="checkbox"/> | Bungie with Toggle | <input type="checkbox"/> | Elastic in Hem - Like a showercap |